



# Connector

System

# Connector system

The connector system offered by Amisco includes a complete range of solutions for the most common connections of the coils for solenoid valves.

The connector system offered by Amisco is supplied by an Italian leader company in the production of industrial connectors.

The connectors with cable entry conform to Industry Standard **EN 175301-803** and comply with **EC Directive 2014/35/EU** are normally used to supply power to solenoid valves.

The connectors are rated to offer protection **IP 67** (complying to IEC 60529) that means reliable performance when exposed to fluids and dust, when correctly assembled with the gaskets and screws which complete the package.



## Product features:

- Robust design with wide space to facilitate cable assembly to the contact
- One piece contact insert secured by spring loaded lugs
- Protection spring between fixing screw and contact to prevent conductor damage during assembly
- Fixing screw end stop to prevent curvature and damage to the housing when assembled
- IP67

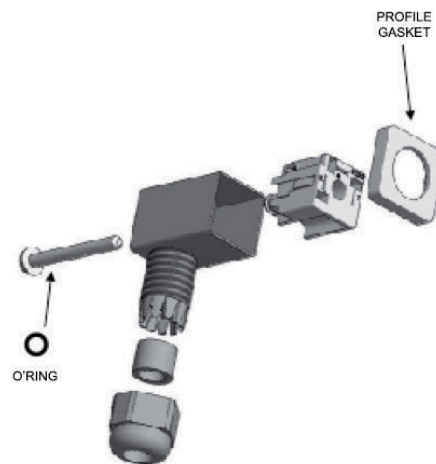
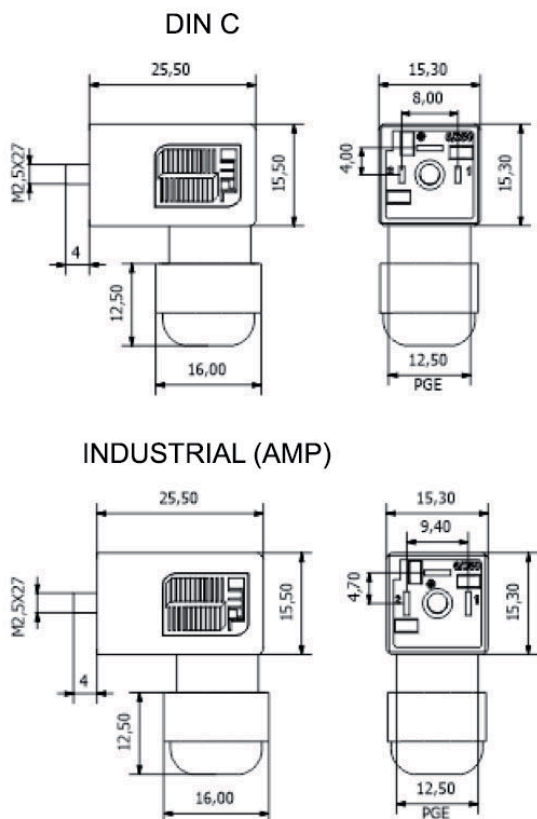
The Amisco connectors are produced by OMAL, a leader manufacturer for these products. For assistance or special request please visit [www.omalitalia.it](http://www.omalitalia.it).

## Types DIN Form C / INDUSTRIAL

Contact spacing 8 mm / 9,4 mm

For 15 mm and 17 mm coil types (15 mm pilot valve, EVI 9)

AMIC813 / AMIC913	
Form	DIN C / Industrial (AMP)
Cable entry	PG 7 (4-6 mm)
Protection class	IP 67 (IEC 60529)
Insulation group	VDE 0110 1/89 - Class C
Working voltage	AC 250 V max. - DC 300 V max. (IEC 60664)
Nominal current	6A
Contact resistance	≤ 4 mΩ
Max conductor section	3 x 0,75 mm <sup>2</sup>
Gasket material	NBR
Working temperature	-25°C ÷ 125°C
Fixing screw	M2,5 x 27



Part Number	Contacts	Type	Cable	Color	IP Rating	Circuit
AMIC813IP00B7	2 + GND	8mm	4÷6mm - PG7	Black	67	None
AMIC813IPD1B7	2 + GND	8mm	4÷6mm - PG7	Black	67	Diode
AMIC913IP00B7	2 + GND	9,4mm	4÷6mm - PG7	Black	67	None
AMIC913IPD1B7	2 + GND	9,4mm	4÷6mm - PG7	Black	67	Diode

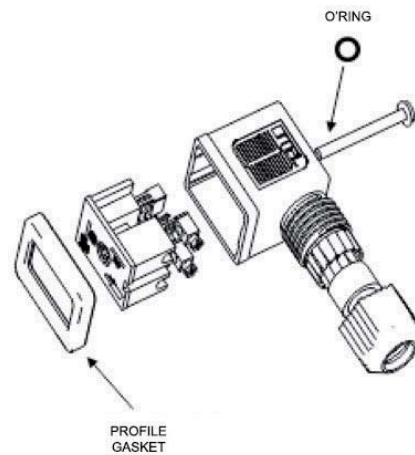
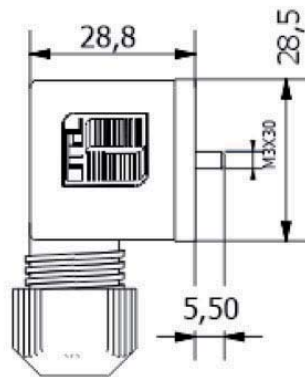
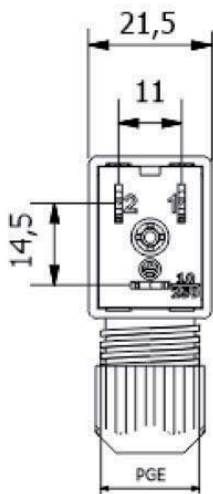
For other type contact [www.omalitalia.it](http://www.omalitalia.it)

## Types INDUSTRIAL

Contact spacing 11 mm

For 22 mm coil types (EVI 7)

AMIC213	
Form	Industrial
Cable entry	PG 9 (6-8 mm)
Protection class	IP 67 (IEC 60529)
Insulation group	VDE 0110 1/89 - Class C
Working voltage	AC 250 V max. - DC 300 V max. (IEC 60664)
Nominal current	10A
Contact resistance	≤ 4 mΩ
Max conductor section	3 x 1,5 mm <sup>2</sup>
Gasket material	NBR
Working temperature	-25°C ÷ 125°C
Fixing screw	M3 x 30



Part Number	Contacts	Cable	Color	IP Rating	Circuit
AMIC213IP00B9	2 + GND	6÷8mm - PG9	Black	67	None
AMIC213IPD1B9	2 + GND	6÷8mm - PG9	Black	67	Diode
AMIC213IPR1B9	2 + GND	6÷8mm - PG9	Black	67	Rectifier

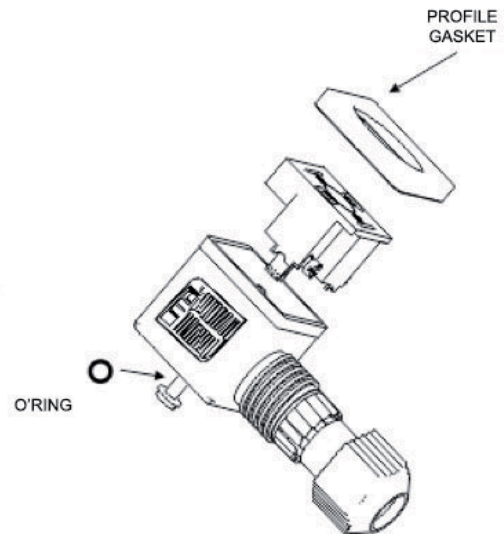
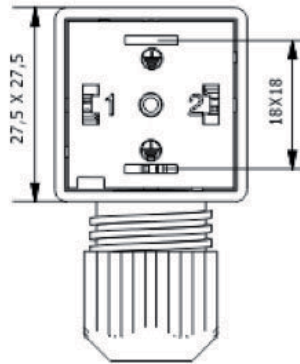
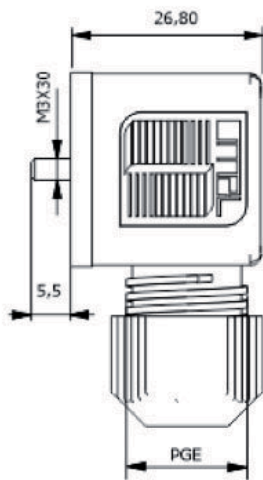
For other type contact [www.omalitalia.it](http://www.omalitalia.it)

## Type DIN Form A

Contact spacing 18 mm

For 30 mm coil types (EVI 30, EVI 5, EVI 3)

AMIC313	
Form	DIN A
Cable entry	PG 9 (6-8 mm)
Protection class	IP 67 (IEC 60529)
Insulation group	VDE 0110 1/89 - Class C
Working voltage	AC 250 V max. - DC 300 V max. (IEC 60664)
Nominal current	10A
Contact resistance	≤ 4 mΩ
Max conductor section	3 x 1,5 mm <sup>2</sup>
Gasket material	NBR
Working temperature	-25°C ÷ 125°C
Fixing screw	M3 x 30



Part Number	Contacts	Cable	Color	IP Rating	Circuit
AMIC313IP00B9	2 + GND	6÷8mm - PG9	Black	67	None
AMIC313IPD1B9	2 + GND	6÷8mm - PG9	Black	67	Diode
AMIC313IPR1B9	2 + GND	6÷8mm - PG9	Black	67	Rectifier

For other type contact [www.omalitalia.it](http://www.omalitalia.it)

# Certifications

## TEST CERTIFICATE CERTIFICATO DI PROVA

REGISTRATION No. : **1253**  
*NUMERO DI REGISTRAZIONE*

PRODUCT : Connectors  
*Prodotto* *Connettori*

APPLICANT : OMAL S.r.l.  
*Richiedente* *Via Arno 18, 20021 Cassina Nuova di Bollate (MI) - Italy*

MANUFACTURER : OMAL S.r.l.  
*Costruttore* *Via Arno 18, 20021 Cassina Nuova di Bollate (MI) - Italy*

TRADE MARK : -  
*Marca*

MODEL/TYPEREF. : B1B1012A; BB2BRZU220  
A1B1012A; AB2BRZU220  
*Modello/Ref. di tipo*

### TEST RESULTS *Risultato delle prove*

A sample of above product was found to be in compliance with the Technical Specification(s) / Standard(s) listed below.  
*Un campione del prodotto specificato è stato provato ed è risultato conforme alle Norme / Specifiche Tecniche qui sotto indicate.*

### TEST DETAILS *Dettagli delle prove*

TEST REPORTS REFERENCE NO. <i>REFERIMENTO RAPPORTI DI PROVA</i>	TECHNICAL SPECIFICATIONS / STANDARDS <i>Specifiche Tecniche / Norme di riferimento</i>
AT17-0016345/A	EN 60529:1991 + A1:2000 + A2:2013 <ul style="list-style-type: none"> <li>• Clauses: 12.2; 13.4; 13.6 – IP6x with internal depression 20 mbar</li> <li>• Clause: 14.2.7 – IPx7</li> </ul>

Number of Annexes : -  
*Numero di Allegati*


Place and Date of test issue : Milan, 2017-11-07  
*Luogo e data di emissione*

**IMQ**

This Test Certificate is the result of testing a sample of the product submitted, in accordance with the provisions of the specified Technical Specifications/Standards. It is issued according to product certification system Ia of EN ISO/IEC 17067; therefore, it does not imply any judgment on the production and it does not permit the use of a mark of conformity. Only full reproductions of this Certificate are allowed without written permission of IMQ.  
*Questo Certificato di Prova è il risultato delle prove effettuate sul campione di prodotto presentato, seguendo le prescrizioni delle corrispondenti norme specifiche tecniche citate. Esso è emesso in conformità al sistema di certificazione di prodotto Ia della norma EN ISO/IEC 17067; pertanto, esso non implica un giudizio sulla produzione e non permette l'uso di un marchio di conformità. Solo la completa riproduzione di questo Certificato è permessa senza l'autorizzazione scritta dell'IMQ.*

Mod. 923/2

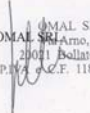
IMQ S.p.A. Società con Socio Unico - I-20138 Milano - Via Quintiliano 43 - tel. 0250791 tra + fax 0250991000 - info@imq.it - www.imq.it  
Rea MI 1293984 - Registro Imprese MI 1298410159 - C.F./P.I. 1298410159 - Capitale sociale 4.000.000 euro



## CE DECLARATION OF CONFORMITY

We hereby declare that all our connectors are produced according to EN 175301-803 and comply with EC Directive 2014/35/EU (Electrical Equipment Designed for Use within Certain Voltage Limits – Low Voltage Directive).

Bollate, Oct. 1<sup>st</sup>, 2018

  
 OMAL SRL  
 Via Arno, 18  
 20021 Bollate (MI)  
 P.IVA / C.F. 11890670158

OMAL SRL – Via Arno 18 – Cassina Nuova – 20021 Bollate – MI – Italy – Tel. +39 02 33260450 – Fax +39 02 33261087  
P.I. / C.F. 11890670158 – www.omalitalia.it – [omalitalia@omalitalia.it](mailto:omalitalia@omalitalia.it)



w w w . a m i s c o . i t



**AMISCO S.p.A.**  
Via Piaggio, 70  
20037 Paderno Dugnano (Mi)  
Italy

Tel. +39 02.99.00.181  
Fax +39 02.99.00.18.60  
amisco@amisco.it